

Indigenous Gearless Elevator Machines



Eco-Friendly
Single / Three phase
machines for Home Lifts





Company Profile

Mark Elektrijs has been in the business of manufacturing Special Purpose Electric motors for the last four decades and is known for its passion for innovation, kaizen & quality.

It is a leading manufacturer of Special Purpose Electric Motors in India and has been credited as a pioneer in the development Torque Motors, Stall Torque Motors, Reluctance & Permanent Magnet Synchronous Motors, AC Servo Motors, High Efficiency AC Motors, Special Tacho-generators, motors for Nuclear power plants & Special Purpose DC Motors.

The company is located in Gultekdi Industrial area, Pune and is backed by four decades of development experience and a state of the art R & D, Manufacturing and Testing facilities.

Mark Elektrijs caters to a wide variety of applications across various verticals all over India to clients such as Nuclear Power Corporation of India, Reliance Industries, Steel Authority of India Limited, Sardar Sarovar Nigam (Gujarat), Alfa Laval India Limited, Rieter (India), Asean Brown Boveri and many more. Mark Elektrijs is also registered with renowned Consultants like MECON and M N Dastur.

Needless to say, Mark Elektrijs is a preferred vendor for the import substitutes of electric motors & has a large base of satisfied customers in private & public sectors and is also exporting to developed countries.

Continuing with the company tradition of innovation, Mark Elektrijs now brings to the Indian customers a world class technology of Gearless Permanent Magnet Machines for Elevator Applications, under the "ASCENT – The Energy Saver" brand of Gearless elevator machines.

The "ASCENT – The Energy Saver" Series of Gearless Permanent Magnet Machines bring many advantages over the conventional Geared elevator machines.



Features & Benefits

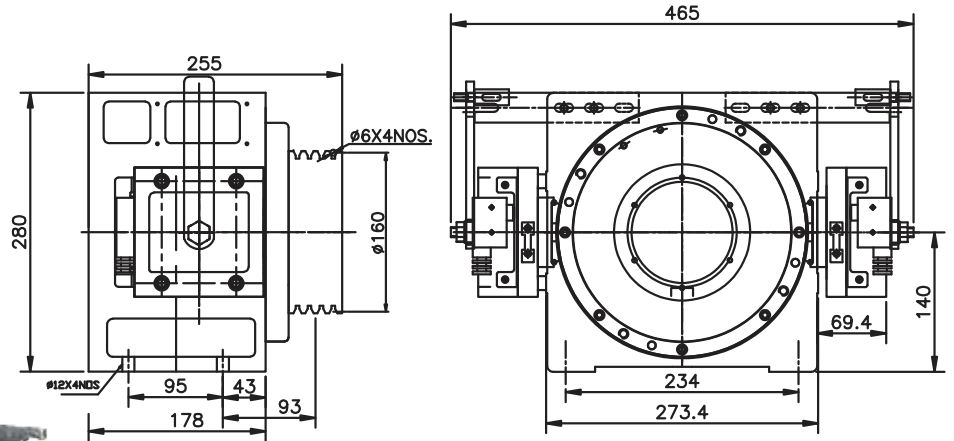
Benefits:

- Operates on single phase / three phase supply
- Saving in Energy Cost
- Maintenance free
- Compact space saving, machine room not required
- Quiet Operation
- Vertical mobility for old & sick at home at affordable price

Safety Features:

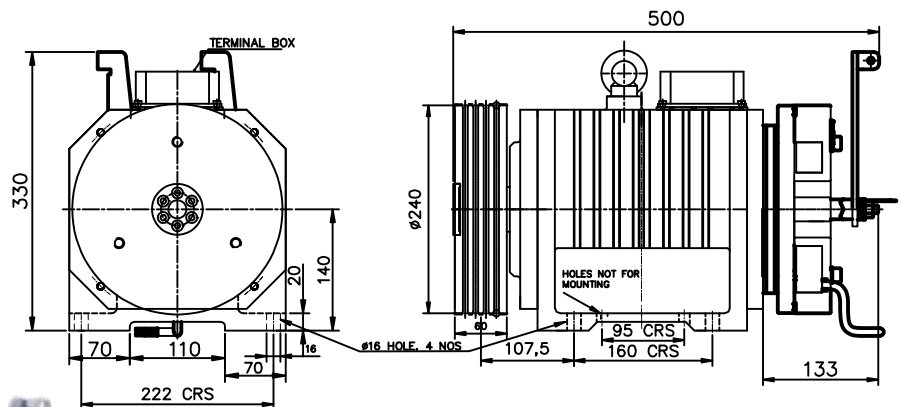
- Double Brake
- SinCos Encoder Heidenhain/ Equivalent
- Limit Switches Omron/ Honeywell
- Manual brake release mechanism
- Main Shaft load (Static) max. 1300 Kg
- Working Duty 180 Start/Hour

GEM 4 (OR)



Rated Load	Up to 320 Kg
Rated Speed	0.35/0.7 m/s
Suspension	2:1 / 1:1
Sheave Diameter (mm)	160/240
Brake	Dual independent side brake

GEM 4 (IR) & GEM HL



Rated load	280 Kg
Rated Speed	0.35/0.7 m/s
Suspension	2:1 / 1:1
Brake	Dual back brake
Sheave Diameter (mm)	160 210 240
Roping	4xØ6 4xØ6 8xØ4

**GEM HL (Upto 6 Passenger)
Gearless Elevator Machine For Home Lift**

	Rated Load	Speed	Torque	Motor Kw	Frq	Rated Speed	Voltage	Current	Sheave Dia	Rope	Pole	Roping	Passenger Capacity
GEM 6HL -200	408	90 rpm	140Nm	1.37	12.0 Hz	0.5 m/s	220/340 V	5.2/3.4 A	210mm	dia 6x4/ dia 8x4	16 pole	2:1	6 Passenger
GEM 5HL -240	340	100 rpm	140Nm	1.45	13.3 Hz	0.63 m/s	220/340 V	4.0/6.0 A	240mm	dia 6x4 dia 8x4	16 pole	2:1	5 Passenger

Brake Details : Torque - 180 x 2 | Brake Voltage - 110VDC

STANDARD SPECIFICATIONS FOR GEM 4 IR

	GEM4-IR150 0.35/280-IR1.1	GEM4-IR150 0.7/280-IR2.2	GEM4-IR150 0.4/280-IR0.8	GEM4-IR150 0.4/280-IR1.0	GEM-HL Series	
					GEM6-HL200	GEM5-HL240
Rated Load	280	280	210	280	408	340
Speed (r/min)	85	170	48	64	90	100
Rated Torque (Nm)	120	120	120	120	140	140
Max. Static Load (Kg)	1200	1200	1200	1200	1300	1300
Rated Power (KW)	1.1	2.2	0.8	1.0	1.37	1.45
Rated Voltage (V)	190	340	102	140	220/340	220/340
Rated Current (A)	6A	7	6	6	5.2/3.4	4.0/6.0
Poles	16	16	16	16	16	16
Rated Frequency (Hz)	11.34	22.67	6.4	8.5	12.0	13.3
Brake Torque (Nm)	120X2	120X2	120X2	120X2	180X2	180X2
Brake Voltage (D.C.)	110	110	110	110	110	110
Sheave Diameter (mm)	160	160	160	240	210	240
Rope	4 X Ø 6	4 X Ø 6	4 X Ø 6	3 X Ø 8	4 X Ø 6	8XØ4
Rated Speed (m/s)	0.35	0.7	0.4	0.4	0.5	0.63
Protection Class	IP41	IP41	IP41	IP41	IP41	IP41
Machine Wt.(Kg)	90	90	90	90	105	107
Max. Height (meters)	18	18	18	18	18	18
Roping	2:1	2:1	1:1	2:1	2:1	2:1
Max. Pass Capacity	4	4	3	4	6	5
Duty Cycle (start / Hour)	120	120	120	120	180	180

STANDARD SPECIFICATIONS FOR GEM 4 OR

	GEM4-OR 0.35/280-OR1.1	GEM4-OR 0.7/280-OR2.2	GEM4-OR 0.4/280-OR1.0
Rated Load	280	280	280
Speed (r/min)	85	170	64
Rated Torque (Nm)	120	120	120
Max. Load (Kg)	1200	1200	1200
Rated Power (KW)	1.1	2.2	1.0
Rated Voltage (V)	170	340	140
Rated Current (A)	6A	6A	6
Poles	16	16	16
Rated Frequency (Hz)	11.34	22.67	8.5
Brake Torque (Nm)	2 X 120	2 X 120	120 X 2
Brake Voltage (D.C.)	24	24	24
Sheave Diameter (mm)	160	160	240
Rope	4 X Ø 6	4 X Ø 6	3 X Ø 8
Rated Speed (m/s)	0.35	0.7	0.4
Protection Class	IP41	IP41	IP41
Machine Wt.(Kg)	100	100	100
Max. Height (meters)	18	18	18
Roping	2:1	2:1	2:1
Max. Pass Capacity	4	4	4
Duty Cycle (start / Hour)	120	120	120

mark elektriks

Regd.Office & Works Unit -I
 Plot No: 15, Gultekdi Industrial Estate, Pune: 411037, India
 Phones: 020 24268499, 24275379, Tele Fax: 020 24273162
 Branches/ Associates: Ahemdabad | Delhi | Kolkatta
 Email: markelektriks@vsnl.net, sales@markelektriks.com
 Website: www.markelektriks.com



Unit -II
 Plot no 3, Gate No.862, Velu
 Taluka Bhor, Dist. Pune - 412205