



Innovative gearless solution

Unbeatable heavy duty motors



**Gearless Machine
for Passenger &
Freight Elevators**

Company Profile

Mark Elektrijs has been in the business of designing and manufacturing Special Purpose Electric motors for the last four decades and is a company driven by passion for innovation, kaizen & quality.





Mark Elektrijs is leading manufacturer of Special Purpose Electric Motors in India and has been recognized as a pioneer in the development of Torque Motors, Stall Torque Motors, Reluctance & Permanent Magnet Synchronous Motors, BLDC, AC Servo Motors, High Efficiency AC Motors, Motors for

Nuclear Power Plants, High Torque PM Synchronous motors for Elevator & Pharmaceutical Industry.






The company is in Pune with two manufacturing plants located at Gultekdi and Velu. The manufacturing & testing facility are equipped with the latest Automatic Machining centers and testing equipments and the design and development is done inhouse. Mark Elektrijs has been a follower of good business practices and has been accredited ISO 9001:2015 Certification by TUV India.

This 'Ascent' motor series of permanent magnet synchronous motor distinguishes itself with:

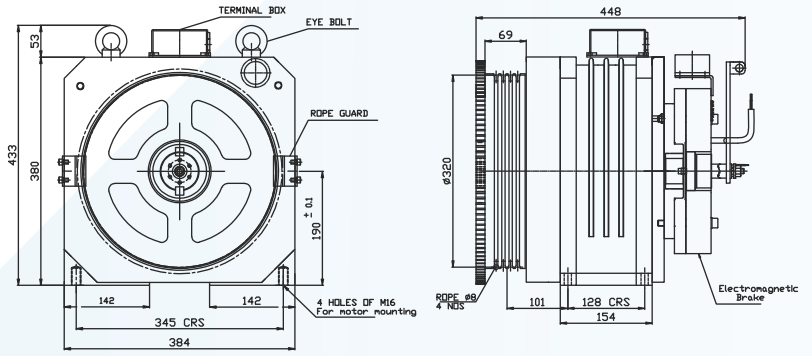
Features

-  100% indigenous product
-  Manual brake release mechanism
-  Maintenance free certified brakes
-  Encoder-SinCos Heidenhain and equivalent
-  Hand wheel for rescue system
-  Package Solution (motor+Inverter)
-  All India sales & service network

Benefits

-  Extra safety factor - heavy duty motors
-  Saving in energy cost
-  Machine design for 24 pole
-  Simple installation
-  Compact size
-  Quiet and smooth operation for passenger comfort
-  Self cooling (Fan not required for cooling)

GEM 6(2:1)



MODEL	Load (kg)	RPM	TORQUE (Nm)	VOLT (V)	POWER (KW)	POLE	FREQ (Hz)	CURRENT (Amp)	SHEAVE DIA (mm)	ROPE	TRAVEL HEIGHT (M)	DUTY CYCLE (S/h)	SPEED (m/s)	STATIC (Kg)	COOLING TYPE
GEM6-75	408	119	230	340	3.0	24	23.8	6.7	320	4XØ8	36	240 (S5 40%)	1	1800	Self cooling
GEM8-100	544	119	300	340	3.8	24	23.8	8.4	320	4XØ8 5XØ8	36	180 (S3 40%)	1	1800	Self cooling
GEM6-240	408	160	170	340	2.8	24	32.0	6.7	240	Ø8X4	36	240 (S5 40%)	1	1800	Self cooling
GEM8-240	544	160	230	340	3.8	24	32.0	8.8	240	Ø8X4	36	180 (S3 40%)	1	1800	Self cooling

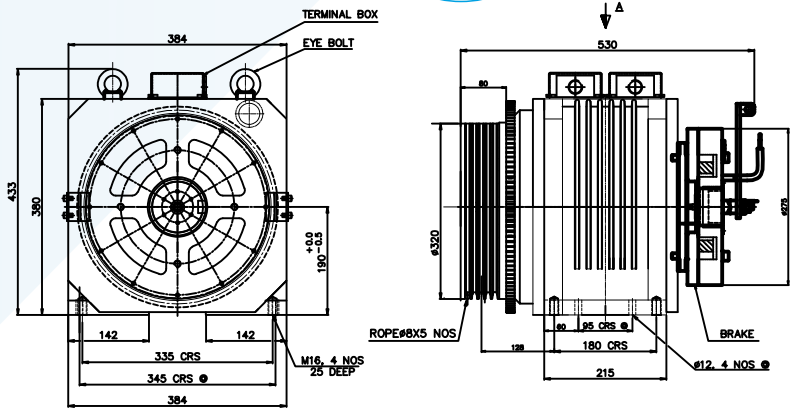
Available options

- High-Speed machine
- Sheave Ø240mm

Hand wheel option available



GEM 8-10-13



MODEL	Load (kg)	RPM	TORQUE (Nm)	VOLT (V)	POWER (KW)	POLE	FREQ (Hz)	CURRENT (Amp)	SHEAVE DIA (mm)	ROPE	TRAVEL HEIGHT (M)	DUTY CYCLE (S/h)	SPEED (m/s)	STATIC (Kg)	COOLING TYPE
GEM8-125 A	544	119	330	340	4.2	24	23.8	9.8	320	5XØ8	75	240 (S5 40%)	1	2400	Self cooling
GEM10-125	680	119	380	340	4.6	24	23.8	10.5	320	5XØ8	75	180 (S3 40%)	1	2400	Self cooling
GEM10-150	680	190	440	340	8.5	24	38	20	320	5XØ8	75	240 (S3 40%)	1.6	2400	Self cooling
GEM13-150	884	119	460	340	5.7	24	23.8	13.5	320	5XØ8	75	180 (S5 40%)	1	3000	Self cooling
GEM 16-175	1088	119	565	340	6.9	24	23.8	15	320	6XØ8	75	180 (S5 40%)	1	3500	Self cooling

Available options

- High-Speed machine
- Sheave Ø240mm

Technical Specification chart

MODEL	GEM6-75	GEM8-100	GEM10-125	GEM10-150	GEM13-150	GEM13-150	GEM 16-175
LOAD (Kg)	408	544	680	680	884	884	1088
RPM	119	119	119	190	119	192	119
TORQUE (Nm)	230	300	380	440	460	460	565
VOLT (V)	340	340	340	340	340	340	340
POWER (KW)	3	3.8	4.7	8.5	5.7	9.2	6.9
POLE	24	24	24	24	24	24	24
FREQ (Hz)	23.8	23.8	23.8	38	23.8	38.4	23.8
CURRENT (Amp)	6.7	8.4	10.4	20	12.6	20.3	15
SHEAVE DIAMETER (mm)	320	320	320	320	320	320	320
ROPE	4 XØ8	4 XØ8	5 XØ8	5 XØ8	6 X Ø8	6 X Ø8	6XØ8
TRAVEL HEIGHT (M)	36	36	75	75	75	75	75
DUTY CYCLE (S/h)	240(S5 40%)	180(S3 40%)	180(S3 40%)	240(S5 40%)	180(S5 40%)	180(S5 40%)	180 (S5 40%)
BRAKE (Nm)	2x200	2x350	2x400	2x400	2x450	2x550	2x600
BEARING SHAFT DIA (mm)	62	62	90	90	90	90	100
SPEED (m/s)	1	1	1	1.6	1	1.6	1
STATIC (Kg)	1800	1800	2600	2600	3200	3200	3500
COOLING TYPE	Self cooling	Self cooling	Self cooling	Self cooling	Self cooling	Self cooling	Self cooling
PROTECTION CLASS	IP 41	IP 41	IP 41	IP 41	IP 41	IP 41	IP 41
MACHINE WEIGHT (Kg)	175	190	230	235	240	240	300
INSULATION CLASS	'F'	'F'	'F'	'F'	'F'	'F'	'F'
BRAKE OPERATING VOLTAGE (VDC)	110	110	110	110	110	110	110

Machine capacity up to 1500 kg available.
High-Speed machine option available, please contact us:



Mark ElektriKS

Regd. Office & Works

Unit- I

Plot No: 15, Gultekdi Industrial Estate, Pune: 411037, India

Phones: 020 24268499, 24275379, Tele Fax: 020 24273162

Associates: Ahemdabad | Delhi | Kolkatta | Bengaluru

Email: markelektriKS@vsnl.net, sales@markelektriKS.com

Website: www.markelektriKS.com

Unit- II

Plot no 3, Gate No.862, Velu

Taluka Bhor, Dist. Pune-412205

